

ClampMan



ClampMan

Light

ClampMan Light is our entry level model.

It's mainly designed to clamp smaller PCBs or hold parts like relays, especially for soldering or repair. It can also be used for tasks such as thermal imaging or with the optional top jaws for isolated measurements.

A good combination is to use it with a probeholder or a thermal cam mounted on a second joint stand.

It also enables fixing in many different positions with the same degrees of freedom as the ClampMan Classic does. So it also ensures nearly the same level of versatility for soldering, repair or assembly of printed circuit boards.

The base plate can support a maximum of four 400mm joint stands.



This product comprises the following parts:

Product.Id	Description
CLM-1118	Round base plate
106327	400mm joint stand
CLM-1200	ClampMan vice





Both hands
free for
soldering

ClampMan

Probe

ClampMan Probe is also an entry level model.

It's mainly designed to probe where you can't use the ClampMan. For example to probe into an opened PC onto a measurement card or on PCBs, which are already mounted into a case.

A good combination is to use it with a vice mounted on a second joint stand.

It also enables fixing in many different positions with the same degrees of freedom as the ClampMan Classic does.

The base plate can support a maximum of four 400mm joint stands.



This product comprises the following parts:

Product.Id	Description
CLM-1118	Round base plate
106327	400mm joint stand
CLM-1110	Probe holder



Probe holder with adjustable pressure of probing tip



ClampMan Light And Probe in teamwork on a single base plate.

ClampMan

Classic

The ClampMan itself is a perfect solution for fixing PCBs of various shapes and formats in a large variety of different ways. Due to its flexible design it is possible to perfectly position each PCB for tasks such as measuring, soldering or thermal imaging. ClampMan was especially designed to clamp energized PCBs while enabling safe measurements from both sides. This is very helpful for power electronic measurements like measuring the power factor or efficiency of a power supply. The provided clamping accessories enable fixing of printed circuit boards in many different positions with multiple degrees of freedom. This ensures an unsurpassed level of versatility for soldering, repair or assembly of printed circuit boards.



This product is available in following editions:

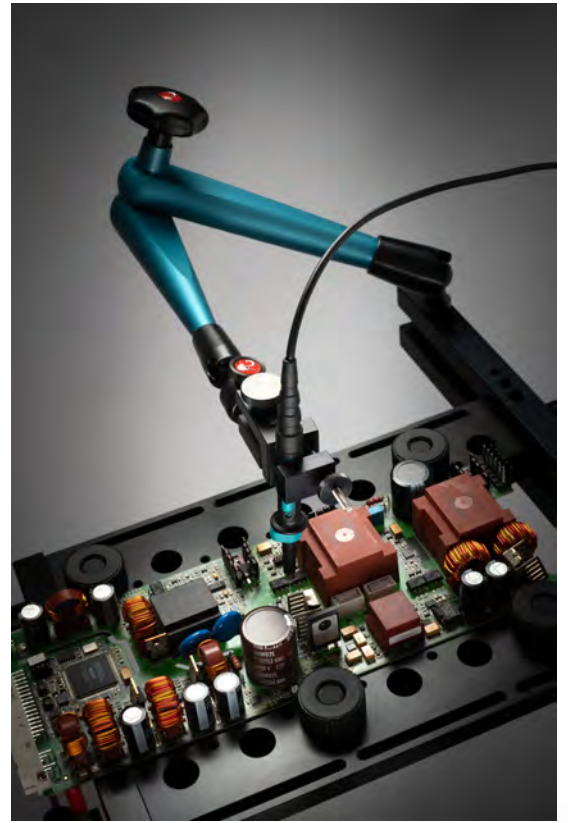
Product.Id

Description

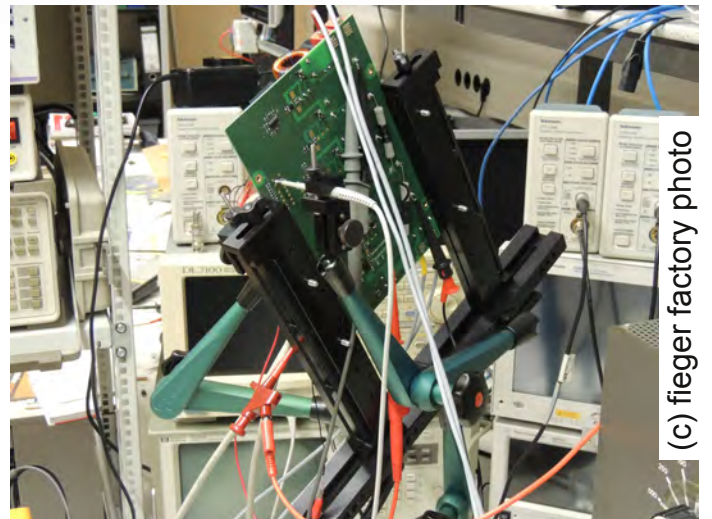
CLM-1001
CLM-1002

ClampMan with 1 joint stand
ClampMan with 2 joint stands





Clamping set
for multiple
possibilities
included



(c) fieger factory photo

ClampMan integrates H&G's precise hydraulic joint stands which have been highly valued in processing and medical engineering industries for decades. These joint stands allow exact positioning of measurement probes or other equipment like thermal imaging cameras. In its basic version ClampMan comes with one hydraulic probe holder. Additional hydraulic joint stands are available as accessories. In total up to ten joint stands with probe holders can be mounted.



Indispensable for ground clip probing !

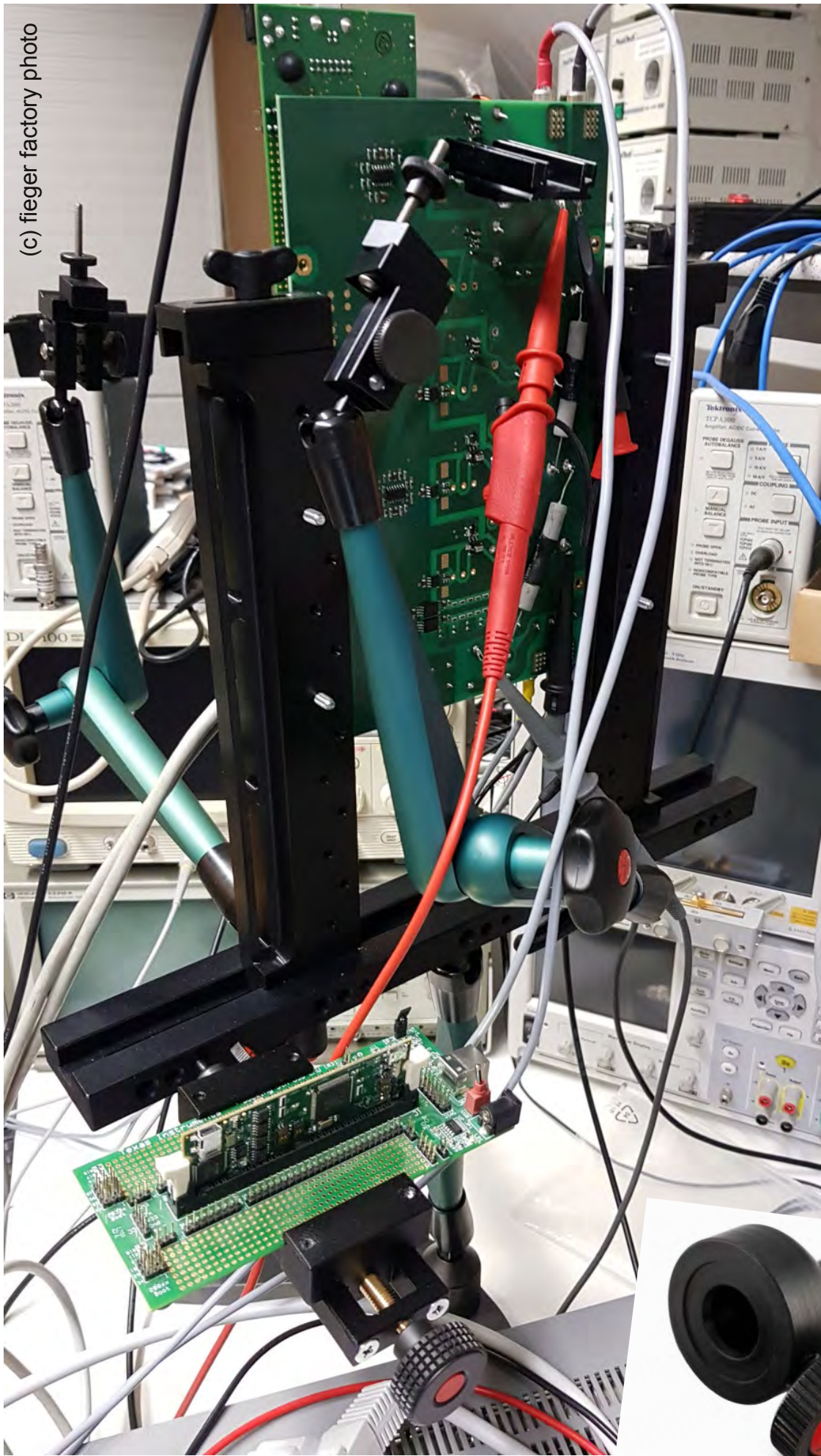
Solid heavy-weight base stand, made of browned steel



Powerful hydraulic joint stands with quick change adapter for different tools or self-crafted gadgets



(c) fieger factory photo



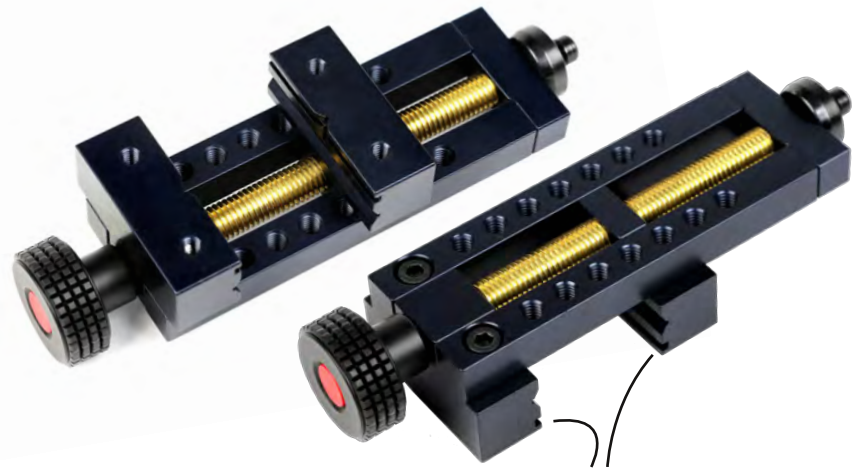
The vice mounted on the ClampMan using an additional base adapter

ClampMan

Accessories

Shortly after the ClampMan went into production we saw the necessity to enable the 400m joint stand to support not only probe holders but also other tools, like tweezers or self-crafted gadgets.

This was realized by introducing our quick-change adapters.



85mm distance between the notches to hold a PCB



Probe holder with adjustable pressure of inserted probing tip



3kg base plate for a maximum of 4 joint stand





104599 - QC Adapter set for retrofitting (104500 + 104511)



104500 - QC Base Adapter



104511 - QC Adapter to M6 inner thread



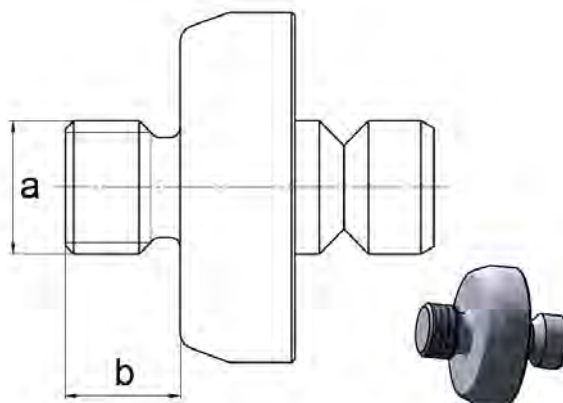
104512 - QC Adapter 4side block, bores M5, M6 + M5 inner thread



104507 - QC Adapter to M4 outer thread (b = 5 mm)
104508 - QC Adapter to M8 outer thread (b = 7 mm)
104509 - QC Adapter to M10 outer thread (b = 8 mm)
104510 - QC Adapter to M6 outer thread (b = 6 mm)



104506 - QC Adapter to 1/4"-20 (Cam - adapter, Withworth thread)
(b = 5 mm)



Now you are able to mount tools like tweezers, vices, magnifying glasses and also cameras for documenting or thermal imaging.



Attaching a tweezer to 104512



craft your own toolset





mount a cam or cell phone holder with adapter 104506



ClampMan

The world of PCB clamping

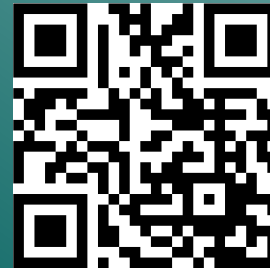
Manufactured by

HÖRGER & GÄSSLER
Gelenkstativ und Präzisionstechnik

All rights reserved.



Idea by fieger consulting&softwaredesign



clampman@fieger.technology
www.clampman.info
<https://fieger.technology>

Presented by



Hauber&Graf electronics GmbH
Höpfigheimer Str. 8
71711 Steinheim / Murr
07144 / 33 905 - 0
info@hg-electronics.de