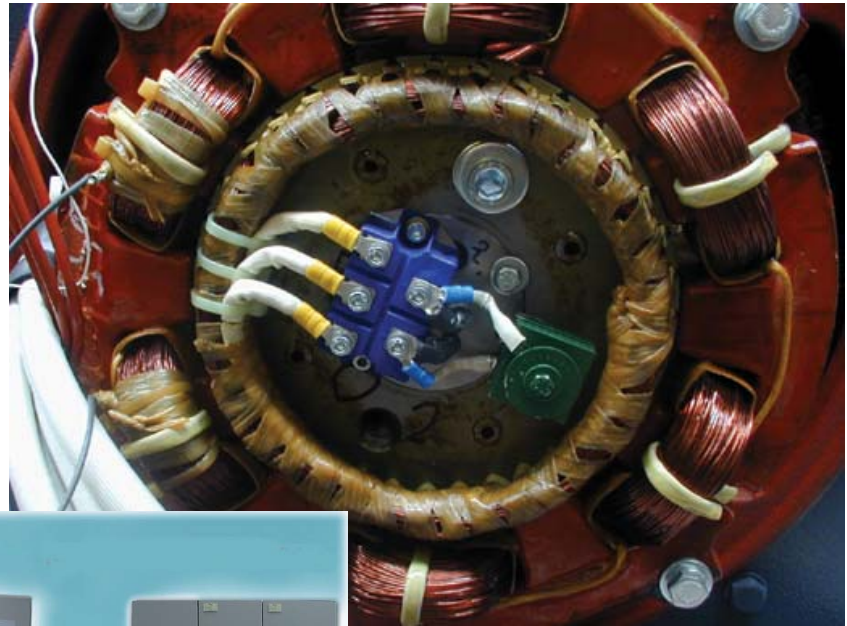
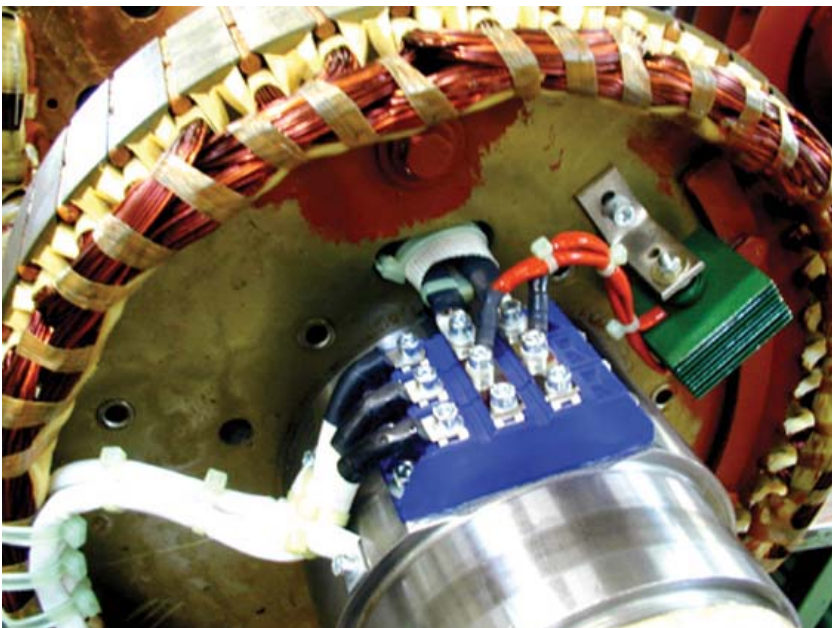


TRACTION-PAC™ - YOUR solution for high – speed – rotating systems:

Three phase rectifier bridge **PSTD 82** mounted on the high speed rotating shaft of an UPS System



APPLICATION:
Uninterrupted Power
Supply (UPS) Systems



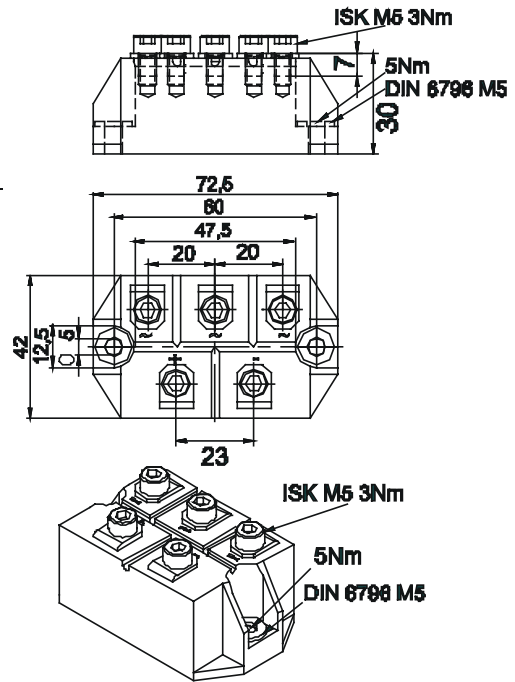
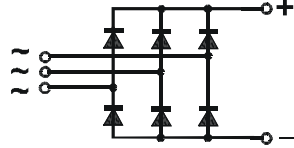
Three phase leg diode
modules **PSTKD 82**
mounted on the high
speed rotating shaft of
an UPS System

TRACTION-PAC™ - YOUR solution for high – speed – rotating systems:

Three Phase Rectifier Bridge PSTD 82

PSTD 82

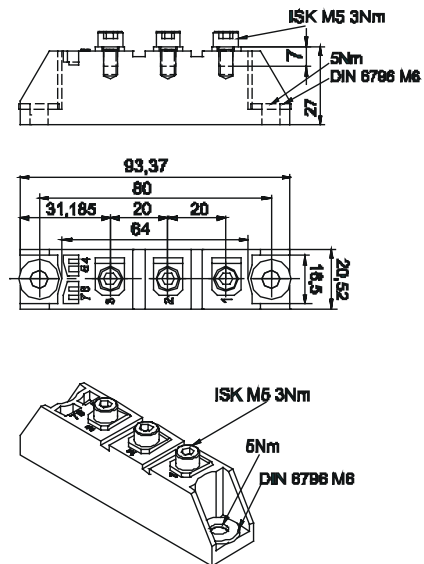
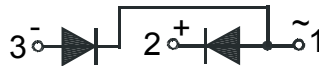
V_{RRM} :	600 - 1800 V
I_{DAV} :	88 A @ $T_C = 110\text{ }^\circ\text{C}$
I_{FSM} :	750 A (10 ms, 45 °C)
V_{TO} :	0.8 V
r_T :	5 mΩ
T_{VJM} :	150 °C
R_{thJC} :	1.10 K/W
R_{thJH} :	1.52 K/W



Diode Module PSTKD 82*

PSTKD 82

V_{RRM} :	600 - 1800 V
I_{DAV} :	80 A @ $T_C = 110\text{ }^\circ\text{C}$
I_{FSM} :	1700 A (10 ms, 45 °C)
V_{TO} :	0.8 V
r_T :	2.7 mΩ
T_{VJM} :	150 °C
R_{thJC} :	0.35 K/W
R_{thJH} :	0.55 K/W



***also available as thyristor module**